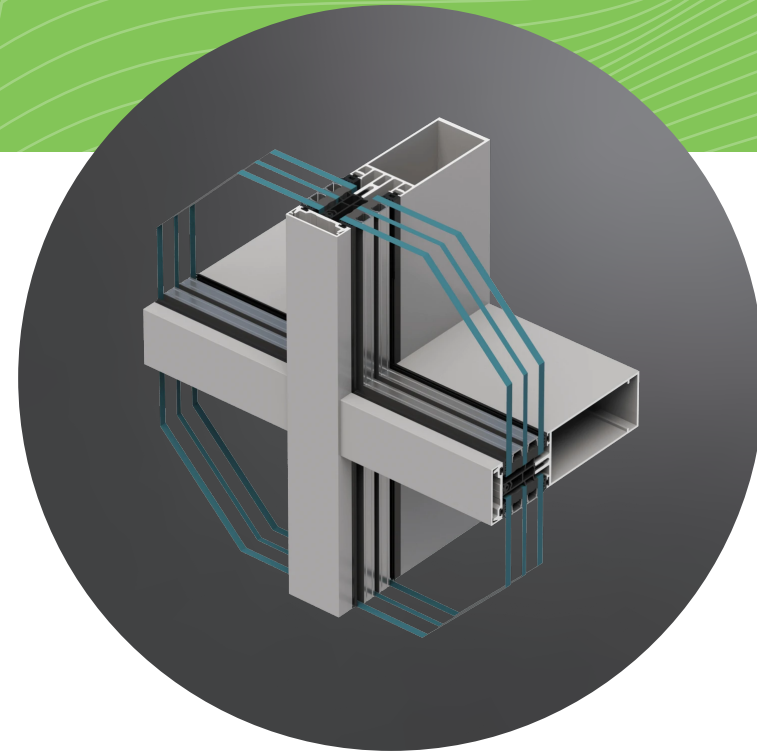


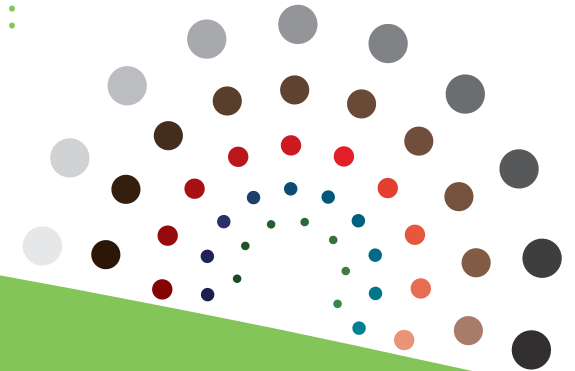
MB-Storefronts

The shape of mullions and transoms of MB Storefront Systems allows to build aesthetic facades with visible narrow dividing lines, while ensuring the durability and strength of the structure. Profile shapes allow such a selection of mullion and transom profiles that gives the effect of flush surface of mullions and transoms from the inside of the facade.

- Angled connections that allow free shaping of aluminium facade
- Wide range of colors and decors
- Fully customizable glass packages



available in wide color palette
of all RAL colors :



Water PSF

up to 15



SHGC

down to 0.18



U-Value

down to 0.23



STC

up to 44